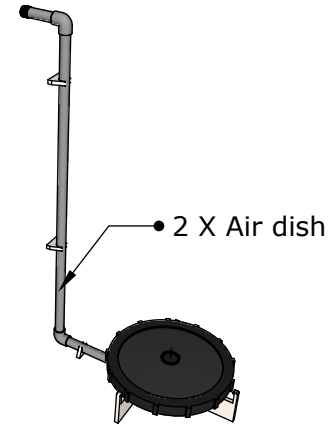
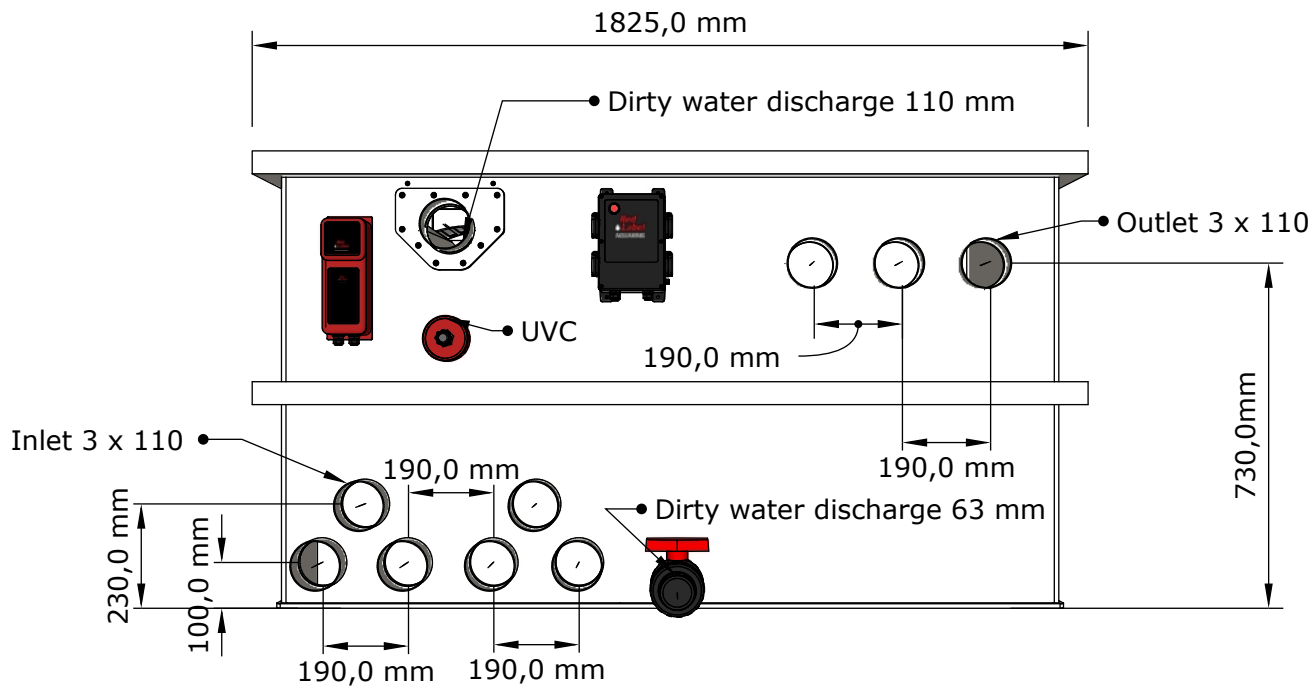
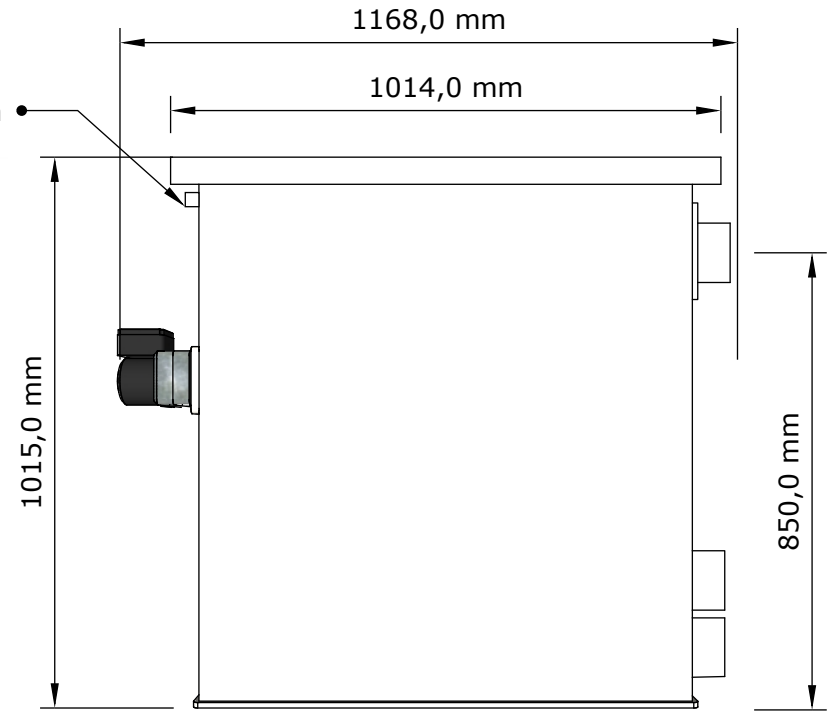




2 x Air connection



Red Label

Combi 50/60 Basic 500 Pomp	F2010006
-------------------------------	----------